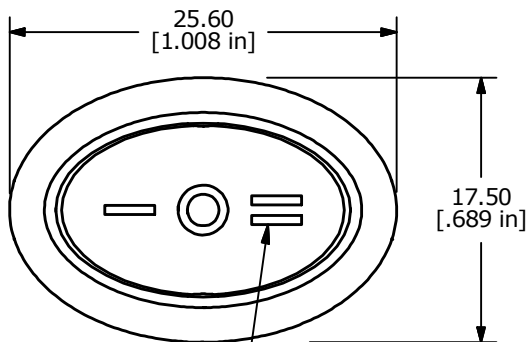
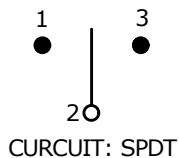


PANEL THICKNESS (X) DIMENSION	(X) DIMENSION
0.75 TO 1.25	23.3
1.25 TO 2.00	23.6
2.00 TO 3.00	23.9

SUGGESTED PANEL CUTOUT

SWITCH FUNCTION		
POS. 1	POS. 2	POS. 3
ON	OFF	ON
2-3	OPEN	2-1



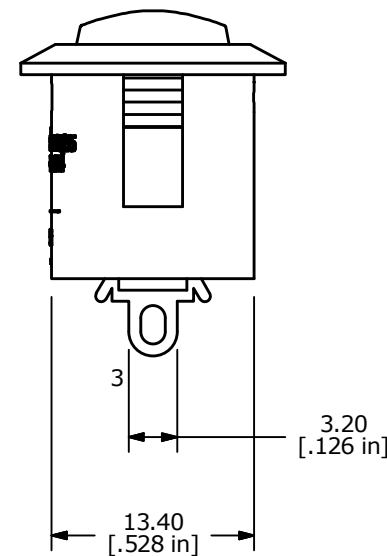
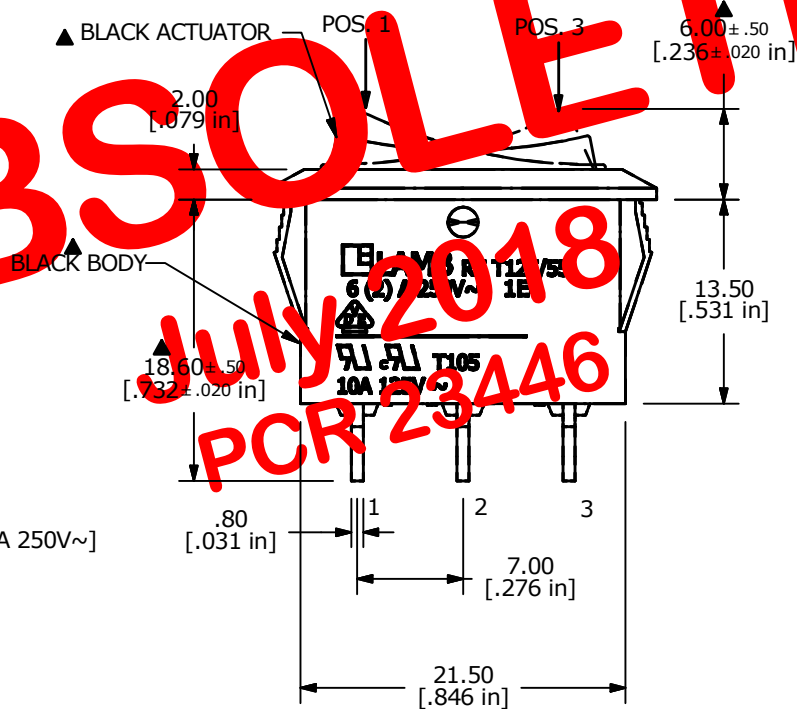
NOTE:

1. ALL DIMENSIONS IN MM [INCH]
2. GENERAL TOLERANCE: X.X = ± 0.4  
X.XX = ± 0.25
3. TERMINAL NOS. FOR REF. ONLY
- ▲ 4. RATINGS: ANSI/UL 1054:  
10A 125VAC [UR, cUR]  
6(2)A 250V~ μ 5E4 T85 [ENEC14, SEMKO]
- ▲ 5. CONTACT MATERIAL: SILVER ALLOY CLAD COPPER
6. CONTACT RESISTANCE: 35mΩ MAX. @ 50VAC INITIAL
7. INSULATION RESISTANCE: 100MΩ MIN. @ 500VDC
8. DIELECTRIC STRENGTH: 1,500 VAC FOR 1 MINUTE
9. ELECTRICAL LIFE: 10,000 CYCLES
10. TEMPERATURE: -20°C TO 105°C [UR, cUR]  
-20°C TO 125°C [ENEC14, SEMKO: 10(2)A 250V~]
11. ▲ DENOTES CRTICAL PARAMETER
12. 2002/95/EC (ROHS) COMPLIANT

OBSOLETE

JULY 2018

PCR 23446



TITLE RE1553112S				
SCALE	DATE 3/15/2013	DR EBP	DWG 38-RE1553112S	REV A

A	21070	RELEASE FOR PRODUCTION	3/15/13	EBP
REV	PCR NO	DESCRIPTION	DATE	BY

THE INFORMATION CONTAINED IN THIS DOCUMENT IS PROPRIETARY TO E-SWITCH AND IS NOT TO BE COPIED OR TRANSFERRED